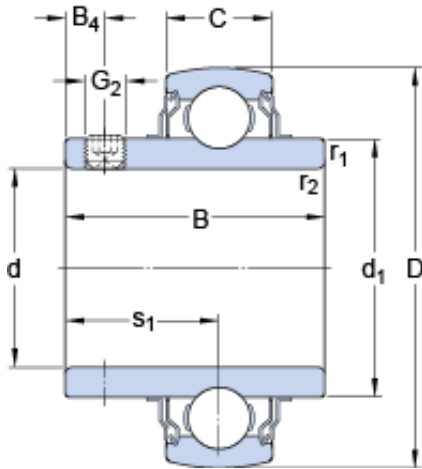




GBMA Bearing Manufacturing Co.,Ltd



YAR 210-2FW/VA201 SKF High Temperature Insert Bearings

Bearing No. YAR 210-2FW/VA201

YAR 210-2FW/VA201 Bearing 2D drawings and 3D CAD models

Size	90x50x51.6 mm
Bore Diameter	90 mm
Outer Diameter	50 mm
Width	51,6 mm
d	50 mm
D	90 mm
B	51.6 mm
C	22 mm
d ₁	62.51 mm
B ₄	9 mm
s ₁	32.6 mm
r _{1,2} - min.	1 mm
Basic dynamic load rating - C	35.1 kN
Basic static load rating - C ₀	23.2 kN
Limiting speed	60 r/min
Limiting temperature - T	250 ° C
Mass bearing	0.69 kg
Grub (set) screw - G ₂	M10x1
Hexagonal key size for grub screw - H	5 mm
Category	Bearings
Inventory	0.0
Manufacturer Name	SKF
Minimum Buy Quantity	N/A



GBMA Bearing Manufacturing Co.,Ltd

Weight / Kilogram	0
Product Group	M06110
d_1	62.51 mm
B_4	9 mm
s_1	32.6 mm
$r_{1,2}$ min.	1 mm
Basic dynamic load rating C	35.1 kN
Basic static load rating C_0	23.2 kN
Limiting temperature T max.	250 ° C
Grub (set) screw G_2	M10x1
Hexagonal key size for grub screw N	5 mm
Recommended tightening torque for grub screw	16.5 N · m