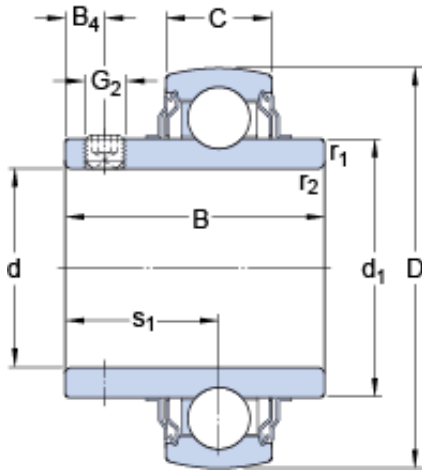




GBMA Bearing Manufacturing Co.,Ltd



YAR 207-2FW/VA228 SKF High Temperature Insert Bearings

Bearing No. YAR 207-2FW/VA228

YAR 207-2FW/VA228 Bearing 2D drawings and 3D CAD models

Size	72x35x42.9 mm
Bore Diameter	72 mm
Outer Diameter	35 mm
Width	42,9 mm
d	35 mm
D	72 mm
B	42.9 mm
C	19 mm
d ₁	46.1 mm
B ₄	6 mm
s ₁	25.4 mm
r _{1,2} - min.	1 mm
Basic dynamic load rating - C	25.5 kN
Basic static load rating - C ₀	15.3 kN
Limiting speed	160 r/min
Limiting temperature - T	350 ° C
Mass bearing	0.41 kg
Grub (set) screw - G ₂	M6x0.75
Hexagonal key size for grub screw - H	3 mm
Category	Bearings
Inventory	0.0
Manufacturer Name	SKF
Minimum Buy Quantity	N/A



GBMA Bearing Manufacturing Co.,Ltd

Weight / Kilogram	0.42
Product Group	M06110
d_1	46.1 mm
B_4	6 mm
s_1	25.4 mm
$r_{1,2}$ min.	1 mm
Basic dynamic load rating C	25.5 kN
Basic static load rating C_0	15.3 kN
Limiting temperature T max.	350 ° C
Grub (set) screw G_2	M6x0.75
Hexagonal key size for grub screw N	3 mm
Recommended tightening torque for grub screw	4 N · m