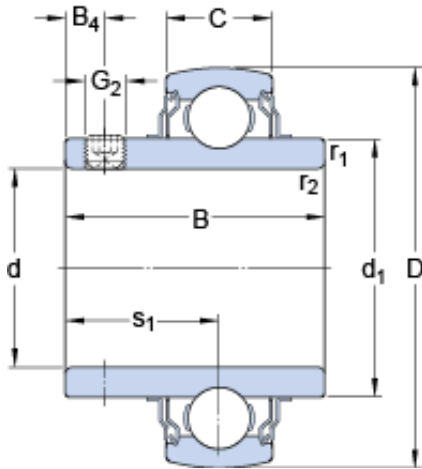




GBMA Bearing Manufacturing Co.,Ltd



YAR 206-103-2FW/VA201 SKF High Temperature Insert Bearings

Bearing No. YAR 206-103-2FW/VA201

YAR 206-103-2FW/VA201 Bearing 2D drawings and 3D CAD models

| | |
|--|-------------------|
| Size | 62x30.163x38.1 mm |
| Bore Diameter | 62 mm |
| Outer Diameter | 30,163 mm |
| Width | 38,1 mm |
| d | 30.163 mm |
| D | 62 mm |
| B | 38.1 mm |
| C | 18 mm |
| d ₁ | 39.7 mm |
| B ₄ | 5 mm |
| s ₁ | 22.2 mm |
| r _{1,2} - min. | 0.6 mm |
| Basic dynamic load rating - C | 19.5 kN |
| Basic static load rating - C ₀ | 11.2 kN |
| Limiting speed | 90 r/min |
| Limiting temperature - T | 250 ° C |
| Mass bearing | 0.31 kg |
| Grub (set) screw - G ₂ - 1/4-28 UNF | 1/428 UNF |
| Hexagonal key size for grub screw - H | 3.175 mm |
| d ₁ | 39.7 mm |
| B ₄ | 5 mm |
| s ₁ | 22.2 mm |
| r _{1,2} min. | 0.6 mm |



GBMA Bearing Manufacturing Co.,Ltd

| | |
|--|------------|
| Basic dynamic load rating C | 19.5 kN |
| Basic static load rating C ₀ | 11.2 kN |
| Limiting temperature T max. | 250 ° C |
| Grub (set) screw G ₂ | 1/4-28 UNF |
| Hexagonal key size for grub screw N | 3.175 mm |
| Recommended tightening torque for grub screw | 4 N · m |