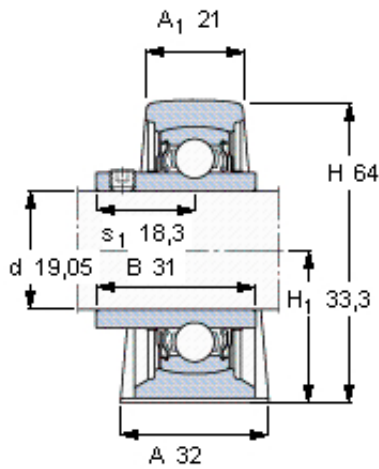




# GBMA Bearing Manufacturing Co.,Ltd



## YAR 204-012-2FW/VA201 SKF High Temperature Insert Bearings

Bearing No. YAR 204-012-2FW/VA201

YAR 204-012-2FW/VA201 Bearing 2D drawings and 3D CAD models

Size	19.05x32x64 mm
Bore Diameter	19,05 mm
Outer Diameter	32 mm
Width	64 mm
d	19,05 mm
A	32 mm
H	64 mm
H <sub>1</sub>	33,3 mm
L	127 mm
C <sub>0</sub> - Static load	6,55 kN
Weight	0,57 kg
Grub (set) screw - - 10-32x1/4	1032x1/4
Size hexagonal key	3,175
Size	19.05x29.5x63.5 mm
Bore Diameter	19,05 mm
Outer Diameter	29,5 mm
Width	63,5 mm
d	19,05 mm
A <sub>1</sub>	29,5 mm
J	63,5 mm
L	86 mm
T	37,3 mm
C <sub>0</sub> - Static load	6,55 kN
Weight	0,61 kg



## GBMA Bearing Manufacturing Co.,Ltd

Grub (set) screw - - 10-32x1/4	1032x1/4
Size hexagonal key	3,175 mm
Size	19.05x24.61x89.7 mm
Bore Diameter	19,05 mm
Outer Diameter	24,61 mm
Width	89,7 mm
d	19,05 mm
A <sub>1</sub>	24,61 mm
J	89,7 mm
L	60,3 mm
T	32,6 mm
C <sub>0</sub> - Static load	6,55 kN
Weight	0,5 kg
Size	47x19.05x31 mm
Bore Diameter	47 mm
Outer Diameter	19,05 mm
Width	31 mm
d	19.05 mm
D	47 mm
B	31 mm
C	14 mm
d <sub>1</sub>	28.2 mm
B <sub>4</sub>	4.5 mm
s <sub>1</sub>	18.3 mm
r <sub>1,2</sub> - min.	0.6 mm
Basic dynamic load rating - C	12.7 kN
Basic static load rating - C <sub>0</sub>	6.6 kN
Limiting speed	130 r/min
Limiting temperature - T	250 ° C
Mass bearing	0.17 kg



## GBMA Bearing Manufacturing Co.,Ltd

Grub (set) screw - $G_2$ - 1/4-28 UNF	1/428 UNF
Hexagonal key size for grub screw - H	3.175 mm
$d_1$	28.2 mm
$B_4$	4.5 mm
$s_1$	18.3 mm
$r_{1,2}$ min.	0.6 mm
Basic dynamic load rating C	12.7 kN
Basic static load rating $C_0$	6.55 kN
Limiting temperature T max.	250 ° C
Grub (set) screw $G_2$	1/4-28 UNF
Hexagonal key size for grub screw N	3.175 mm
Recommended tightening torque for grub screw	4 N · m