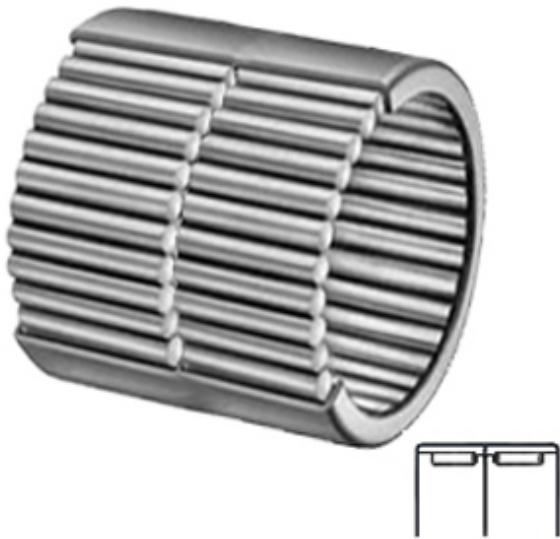




GBMA Bearing Manufacturing Co.,Ltd

GR 20 N MCGILL Roller Bearing Sets



GR 20 N Bearing 2D drawings and 3D CAD models

Bearing No. GR 20 N

Category	Needle Non Thrust Roller Bearings
Inventory	0.0
Manufacturer Name	REGAL BELOIT
Minimum Buy Quantity	N/A
Weight	0.114
Product Group	B04144
Rolling Element	Needle Roller Bearing
Component	Roller Assembly with Outer Ring - No Inner Ring
Enclosure	Open
Self Aligning	No
Retainer	No
Number of Rows of Rollers	Double Row
Separable	No
Closed End	No
Inch - Metric	Inch
Relubricatable	Yes
Thrust Bearing	No
Long Description	1-1/4" Bore; 1-3/4" Outside Diameter; 1" Width; Needle Roller Bearing; Roller Assembly with Outer Ring - No Inner Ring; Open Enclosure; No Self Aligning; No Retainer; Double Row of Roll
Other Features	1 Rib Outer Ring Full Complement Heavy Duty Narrow Width Oil Hole



GBMA Bearing Manufacturing Co.,Ltd

Category	Needle Non Thrust Roller Bearing
UNSPSC	31171512
Harmonized Tariff Code	8482.40.00.00
Noun	Bearing
Keyword String	Needle
Manufacturer URL	http://www.emerson-ept.com
Manufacturer Item Number	GR-20-N
Manufacturer Internal Number	5002060000
Weight / LBS	0.25
B	1 Inch 25.4 Millimeter
d	1.25 Inch 31.75 Millimeter
D	1.75 Inch 44.45 Millimeter